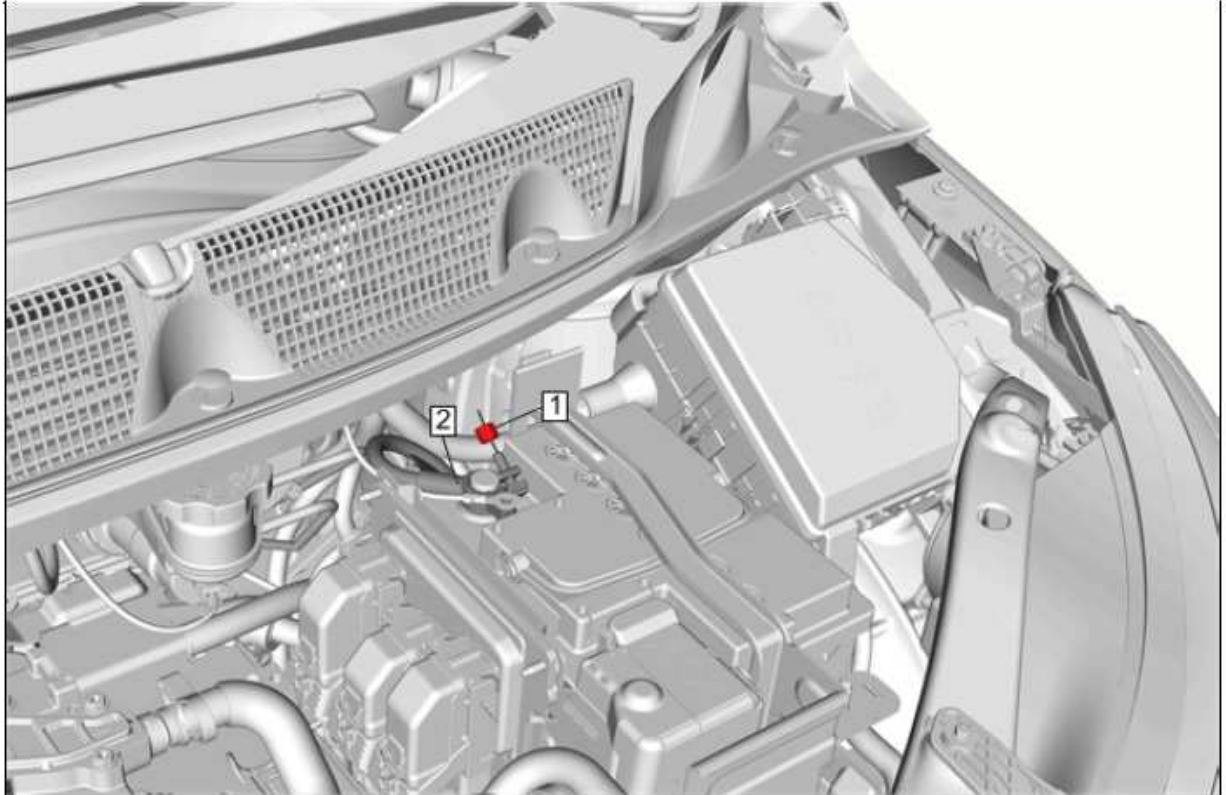


## Internet without OnStar with any 4G LTE SIM card.

We need upgrade the K73 Telematics Communication Interface Control Module.

1. Disconnect battery.

### Battery Negative Cable Disconnection and Connection

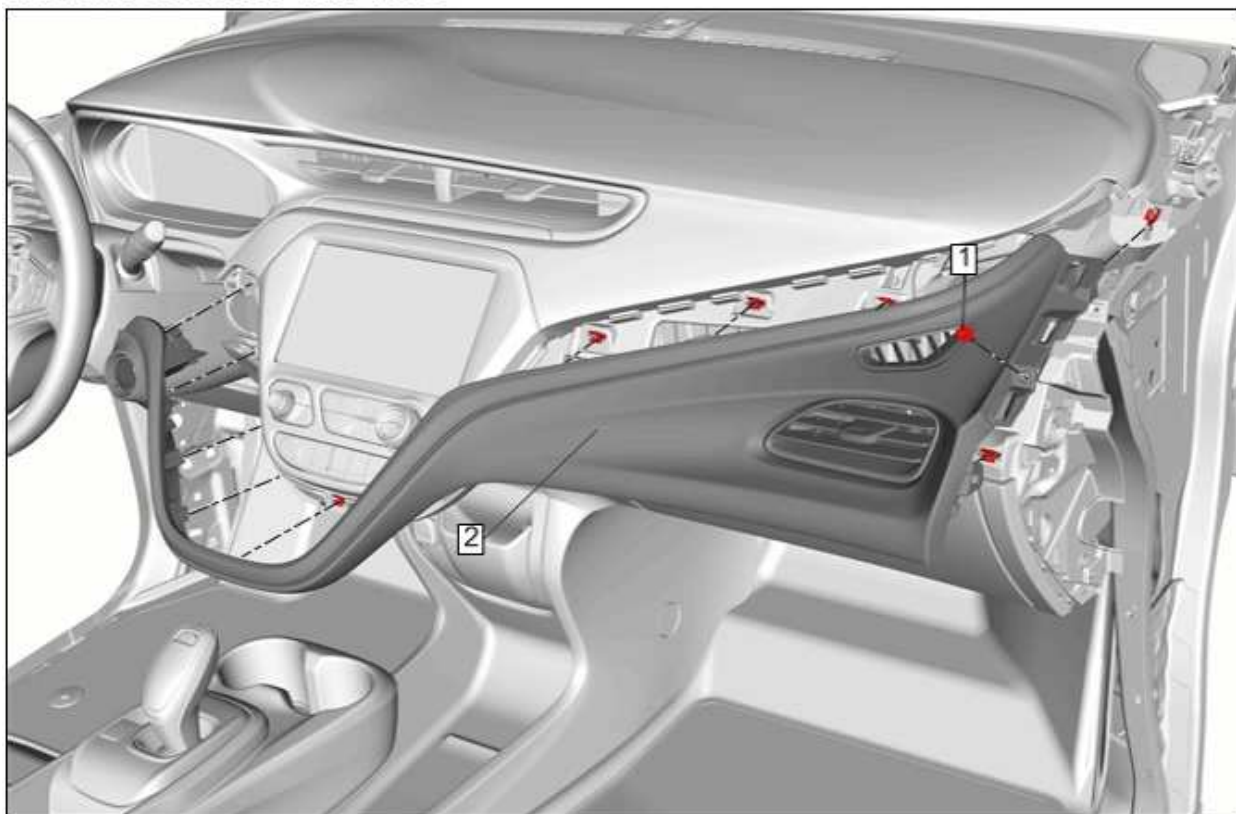


### Battery Negative Cable Disconnection and Connection

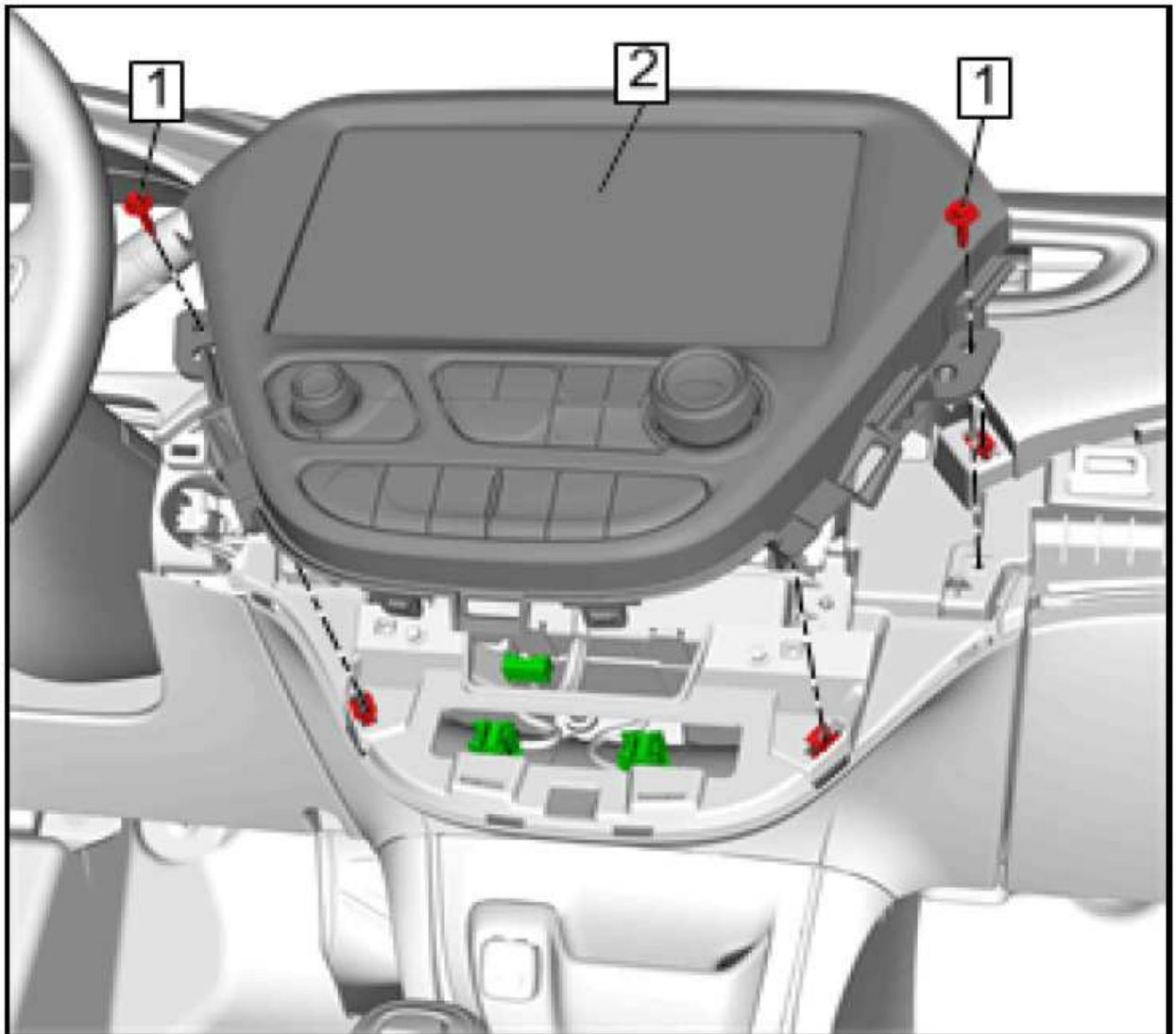
Callout	Component Name
<b>Preliminary Procedures</b>	
1. Turn the ignition OFF.	
2. Disconnect and remove all 12V battery chargers and the AC charger cable from the hybrid battery charger receptacle.	

## 2. Instrument Panel Trim Plate Removal.

### Instrument Panel Trim Plate

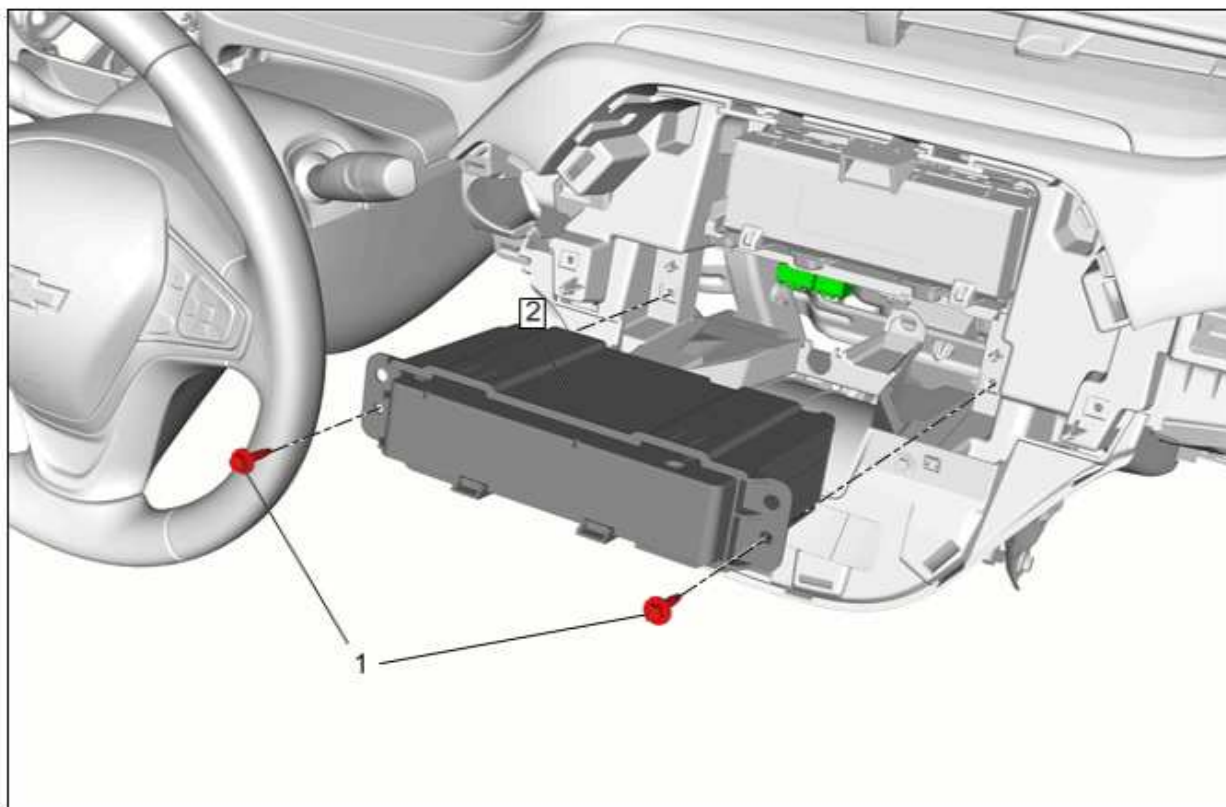


3. P17 Info Display Module Removal.



#### 4. K73 Telematics Communication Interface Control Module Removal.

##### Communication Interface Module

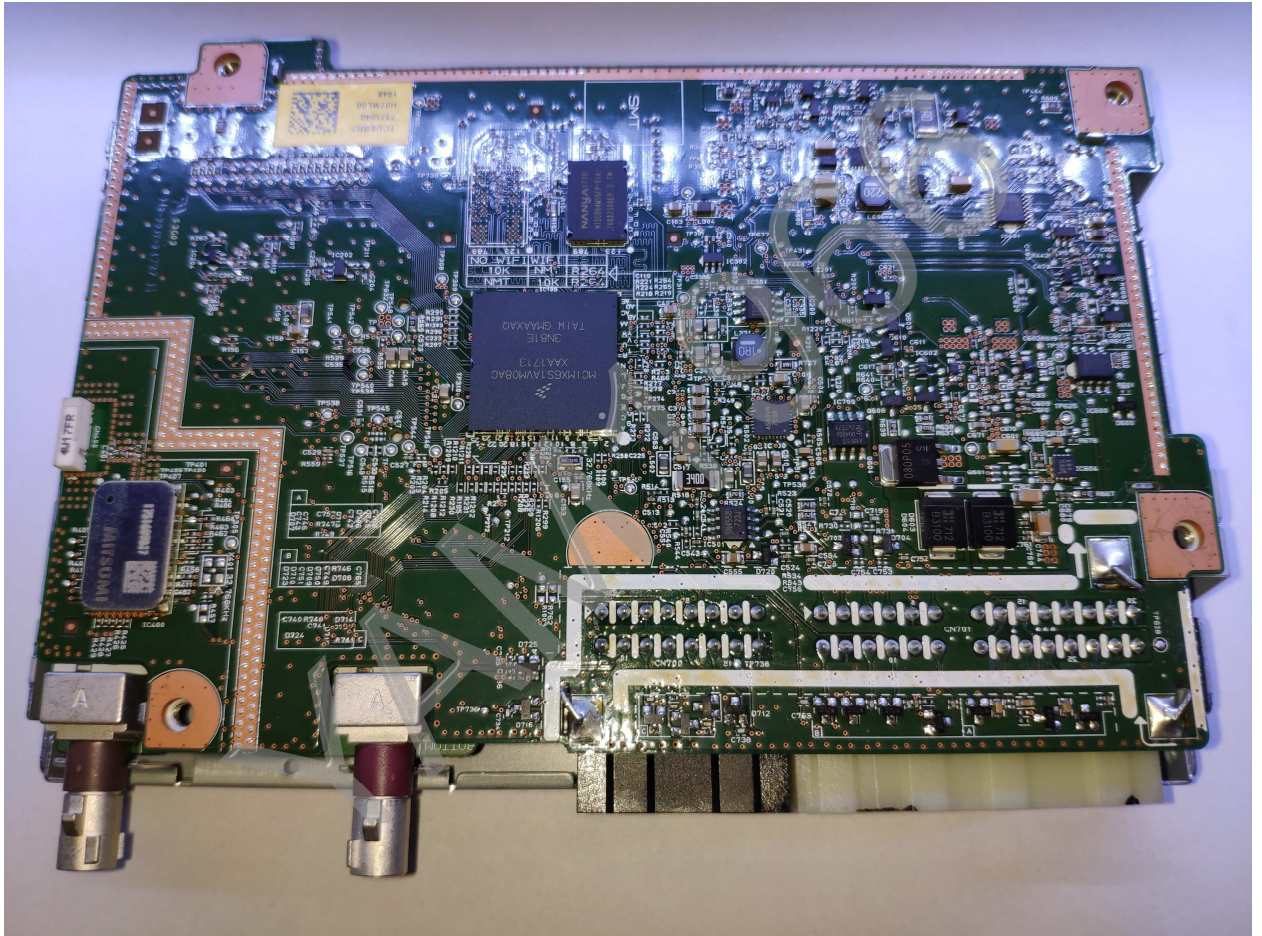


5. Unscrews 4 bolts.





6. Remove the top case.

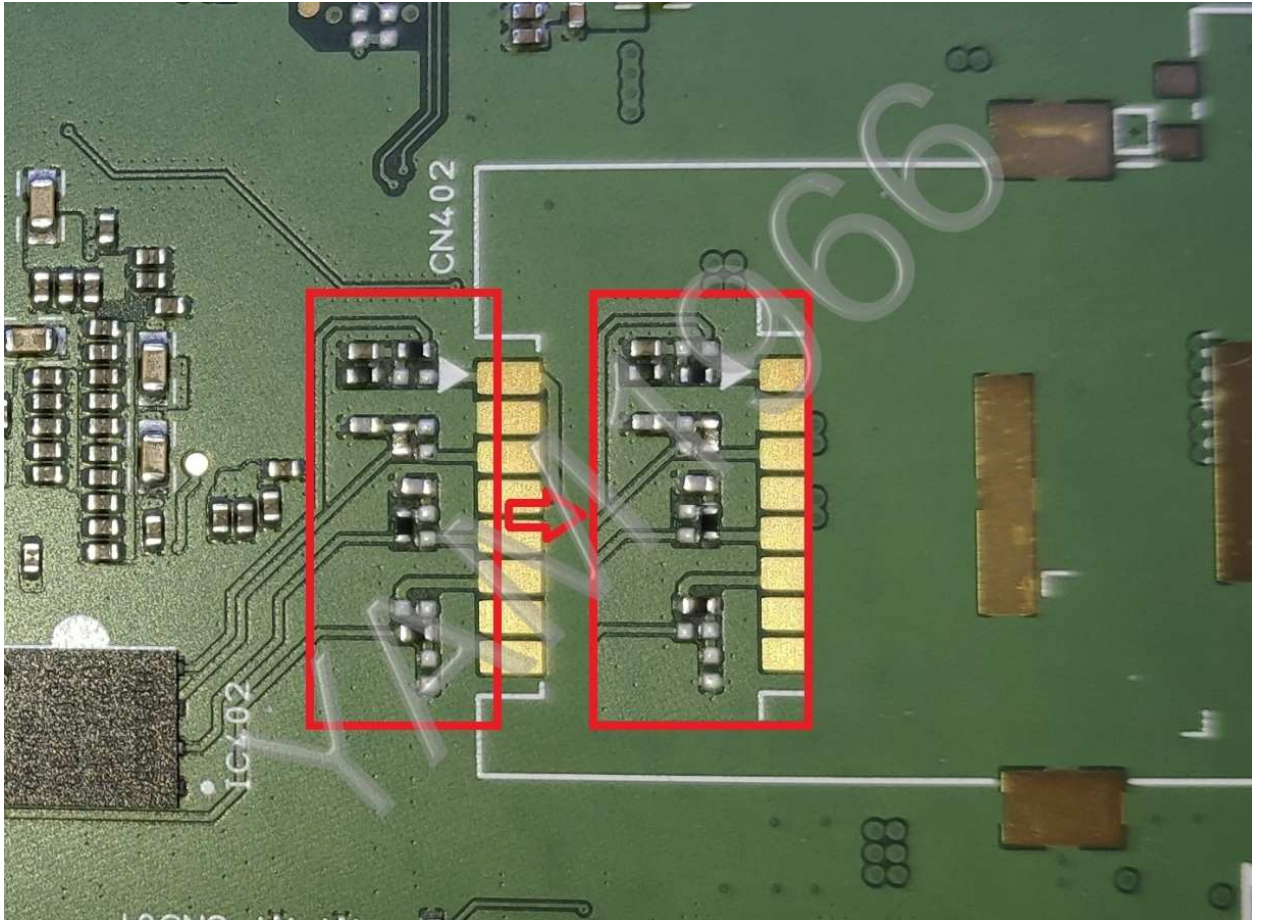


7. Remove the main board.





8. It is necessary to carefully remove 4 zero ohm resistor and solder them according to the photo.

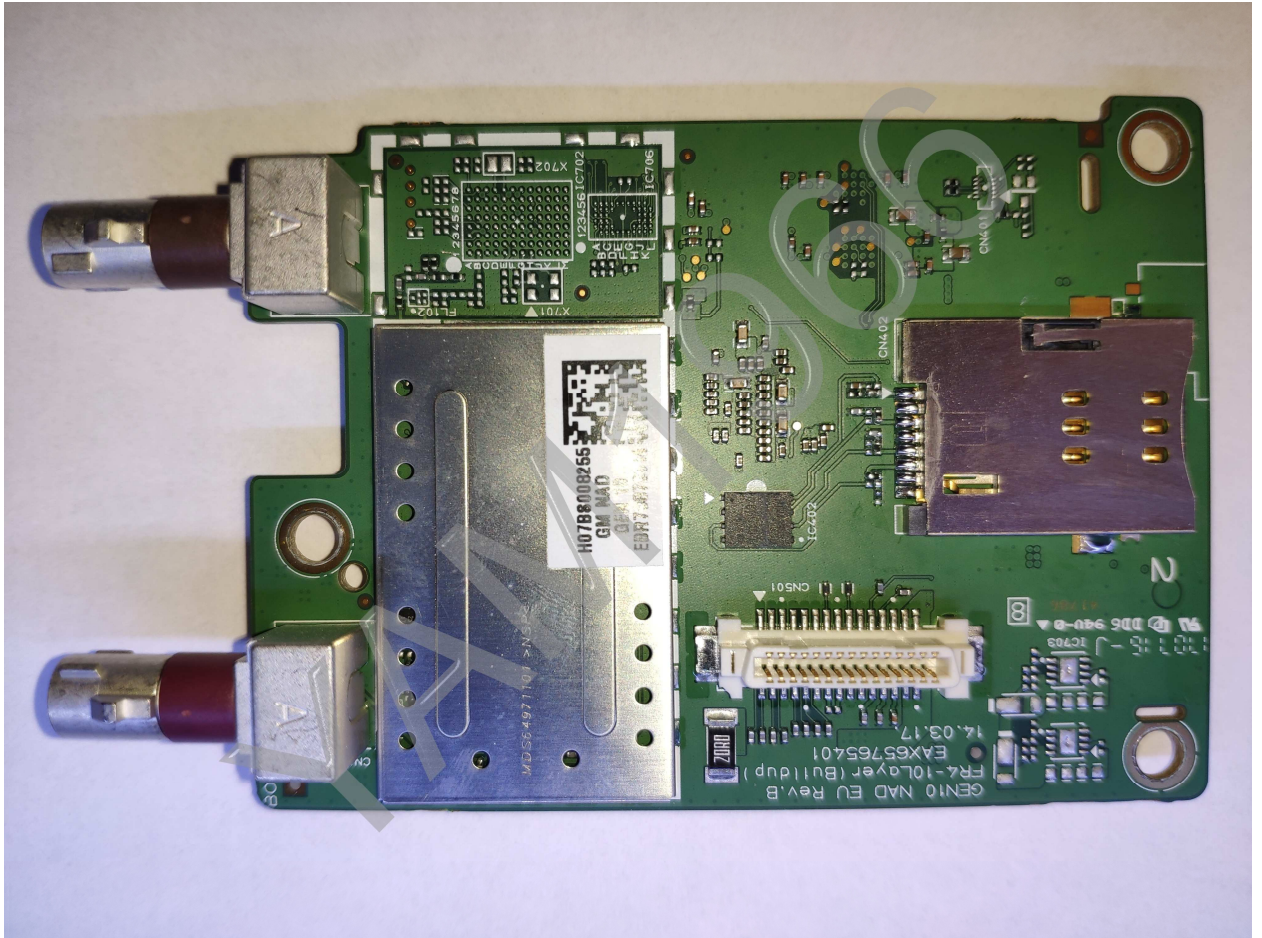


9. You must purchase a SIM card holder according to the photo.





10. Solder the SIM card holder, be careful.



11. Insert in holder 4G LTE SIM card without pin-code.

12. Reassemble everything in reverse order.

Check the 4G LTE connections.



Connect to the hot spot and check internet speed connection.

